

PROCEEDINGS OF THE SUPERINTENDING ENGINEER (GENERAL) i/c
GROUND WATER DEPARTMENT, JALAVIJNANA BHAVAN,
AMBALAMUKKU, THIRUVANANTHAPURAM
(PRESENT: Smt. Rini Rani.S)

Sub: Ground Water Department – Pathanamthitta - Implementation of Mini Water Supply Scheme at Kunnathumkara Valel Padi, Koipuram Grama Panchayath in Pathanamthitta District under Groundwater based drinking water supply scheme – Technical sanction accorded - orders issued.

ORDER NO:- T(1) / 4703/2021/DGW

Dated: 05.07.2022

Read:- 1. Letter No. GWD/776/2021/PTA, dated 26-04-2022 from District Officer, Ground Water Department, Pathanamthitta.
2. Order No. T(1) 4703/2021/DGW dated:28/06/2022 of Director, Ground Water Department, Thiruvananthapuram.

ORDER

As per the letter read 1st, District Officer, Ground Water Department, Pathanamthitta has forwarded a proposal with detailed estimate for an amount of Rs. 5,02,000/- for the implementation of mini water supply scheme at Kunnathumkara Valel Padi, Koipuram Grama Panchayath in Pathanamthitta District under Groundwater based drinking water supply scheme for the year 2022-23.

The proposal for the implementation of Mini Water Supply Scheme submitted by the District Officer has been verified and the amount is limited to Rs. 4,98,000/- (Rupees Four lakhs and ninety eight thousand only).

As per the order read as 2nd paper Administrative Sanction for an amount of Rs. 4,98,000/- (Rupees Four lakhs and ninety eight thousand only) has been accorded by the Director of Ground Water Department.

After examining the matter in detail, technical sanction is hereby accorded to the District Officer, Ground Water Department, Pathanamthitta for an amount of Rs. 4,98,000/- (Rupees Four lakhs and ninety eight thousand only) for the implementation of mini water supply scheme at Kunnathumkara Valel Padi, Koipuram

Grama Panchayath in Pathanamthitta District under Groundwater based drinking water supply scheme

The District Officer, Ground Water Department, Pathanamthitta should ensure that the work is carried out as per Government rules and that the scheme satisfies all the norms and conditions of Ground Water Based Drinking Water Supply Scheme. The scheme after completion should be handed over to the beneficiary committee. The beneficiary committee should run and carry out further maintenance of the scheme and meet all expenditure for the purpose. The work should be supervised by the technical staff of the department. District Officer should also make sure that the payment is made only as per the actual quantity and measurement of each item.

The expenditure in this regard can be met from the budget provision of Rs. 400 lakhs under the Head of account "4702-00-102-94 - Ground Water Based Drinking Water Scheme" for the financial year 2022-2023. The District Officer should intimate the date of completion of the scheme.


Superintending Engineer (General) i/c

Encl: Corrected Estimate

To

✓ The District Officer, Ground Water Department, Pathanamthitta

Copy to : T(1) seat/SF

Ground Water Department, District Office, Pathanamthitta

Detailed Estimate for Micro Water Supply Scheme at Kunnathumkara Valepadi in Koipuram Grama Panchayat, Ward-13 under Ground water based drinking water supply scheme

Total Depth of well ; 107 m

Yield of well

1500 LPH

No of Beneficiaries

20 Families

1.3029

ESTIMATE

Sl. No.	Items	Rate	Quantity	Amount Rs.
1	Well protection with pre-cast concrete ring and RCC slab- details attached	4156 /e	1 no	4156.00
2	Borewell developing charges <i>As per actual measurement</i>	5790 /e	1 no	5790.00
3	Supplying of single phase 2 HP Compressor pump,-with ISI	22950 /set	1 set	22950.00
4	Cost of 40mm(1 1/4") UPVC pipe -with ISI Mark	295 /m	99 m	29205.00
5	Cost of 25mm , 10 Kg/cm ² PVC pipe -with ISI Mark	100.5 /m	85 m	8542.50
6	Supply and laying 20mmB class GI Pipe complete with fittings <i>234</i>	317 /m	18 m <i>212</i>	5706.00
7	Nylon rope-14mm	41 /m	105 m	4305.00
8	Compressor pump erection charges	4153 /set	1 no	4153.00
9	Supplying and fitting 40mm SS adapter for UPVC	800 /set	1 set	800.00
10	Supplying, laying, jointing 40mm Non-return valve(G.M)	944 /e	1 no	944.00
11	Pumping main line 40mm10kg/cm ² PVC-Pipe including trenching	266 /m	100 m	26600.00
12	Pumping line covering for road crossing , 50 mm B Class GI Pipe	556 /m	8 m	4448.00
13	Construction of Pump house using brick work and RCC roof - details attached <i>As per actual measurement</i>	38,800 39500 /e	1 no	38,800 39500.00
14	Electrification work of single phase panel board	10878 /set	1 set	10878.00
15	Single phase power connection charge to K.S.E.B,(As per actual bill)	8000 /e	1 no	8000.00
16	PVC Water tank (ISI)5000 Ltr including conveyance in mini lorry+head load, labour for tank fitting and lifting of tank to top of structure	10.5 /Lit	5000 Lit	52500.00
17	Tank connector-63mm	275 /e	2 no	550.00
18	Tank connector-50mm	190 /e	1 no	190.00
19	Supplying, laying joining 50mm GM fullway wheel valve	1036 /e	2 no	2072.00
20	Supplying, laying joining 40mm GM fullway wheel valve	809 /e	2 no	1618.00
21	Supplying, laying joining 32mm GM fullway wheel valve	693 /e	2 no	1386.00
22	Delivery line Supplying, laying joining 63mm 6kg/cm ² PVC Pipe-Pipe including trenching	311.4 /m	200 m	62280.00
23	Delivery line Supplying, laying joining 50mm 10kg/cm ² PVC Pipe-Pipe including trenching	274 /m	150 m	41100.00
24	Delivery line Supplying, laying joining 40mm10kg/cm ² PVC Pipe-Pipe including trenching	266 /m	100 m	26600.00
25	Delivery line Supplying, laying joining 32mm 10kg/cm ² PVC Pipe-Pipe including trenching	240.6 /m	50 m	12030.00
26	Delivery line Supplying, laying joining 25mm 10kg/cm ² PVC Pipe-Pipe including trenching	217.9 /m	100 m	21790.00
27	PCC 1:2:4 for anchor block and filling road cutting <i>20mm nominal size</i>	8091 /m ³	1 m ³	8091.00
28	Supplying and fixing Hydrants with 1/2"Tap and platform size 0.6m x 0.45m and concrete pedestral using 110mm PVC pipe	1973 /e	20 no	39460.00
29	Add GST @ 12%	51559.26		53477.34
30	Unforeseen items if any	2990.24	LS	2878.16
		498000	Total Rs.	502000.00


1576
02/02

Ground Water Department, District Office-Pathanamthitta

Estimate for Pump house for Micro Water supply scheme

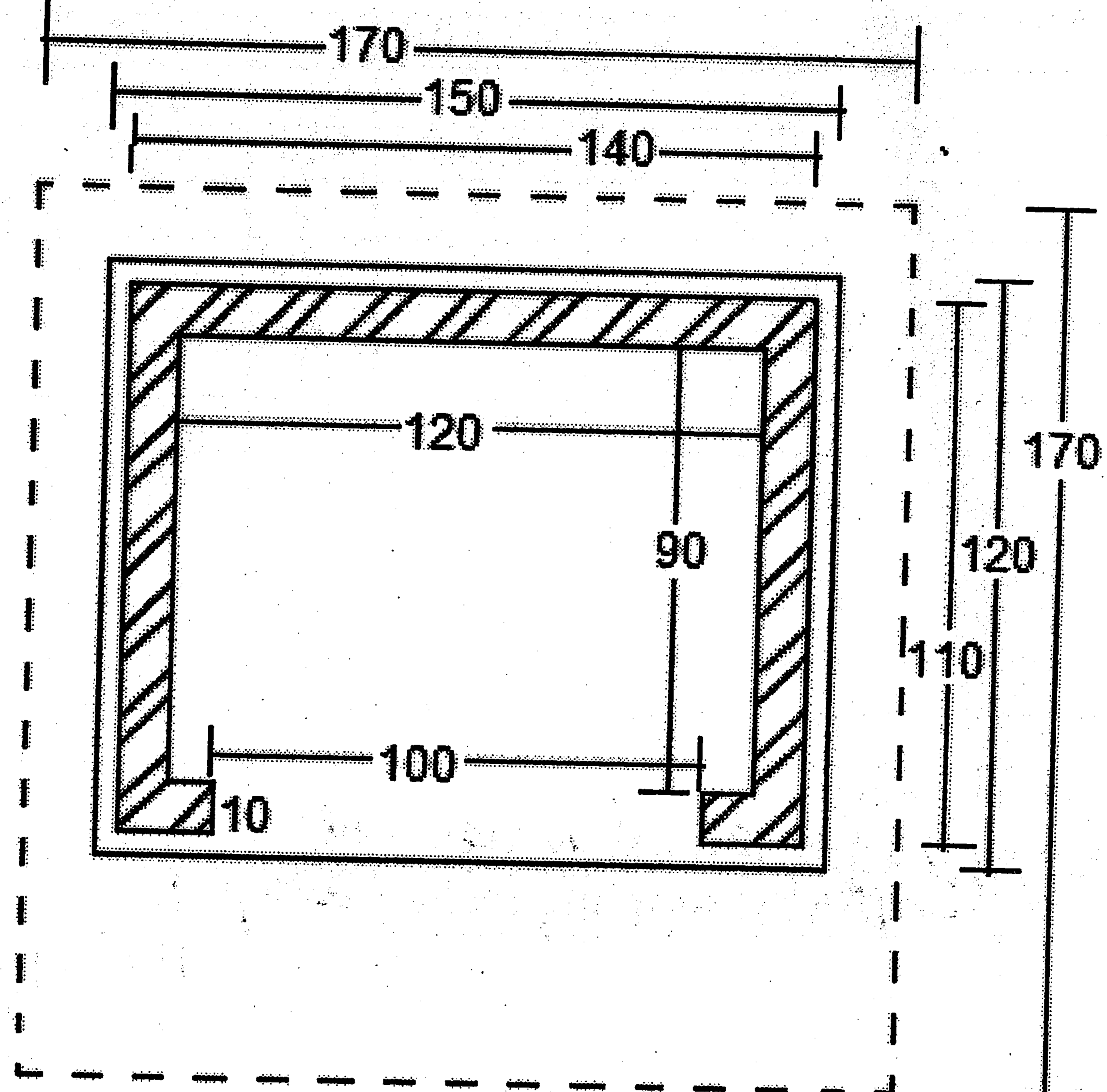
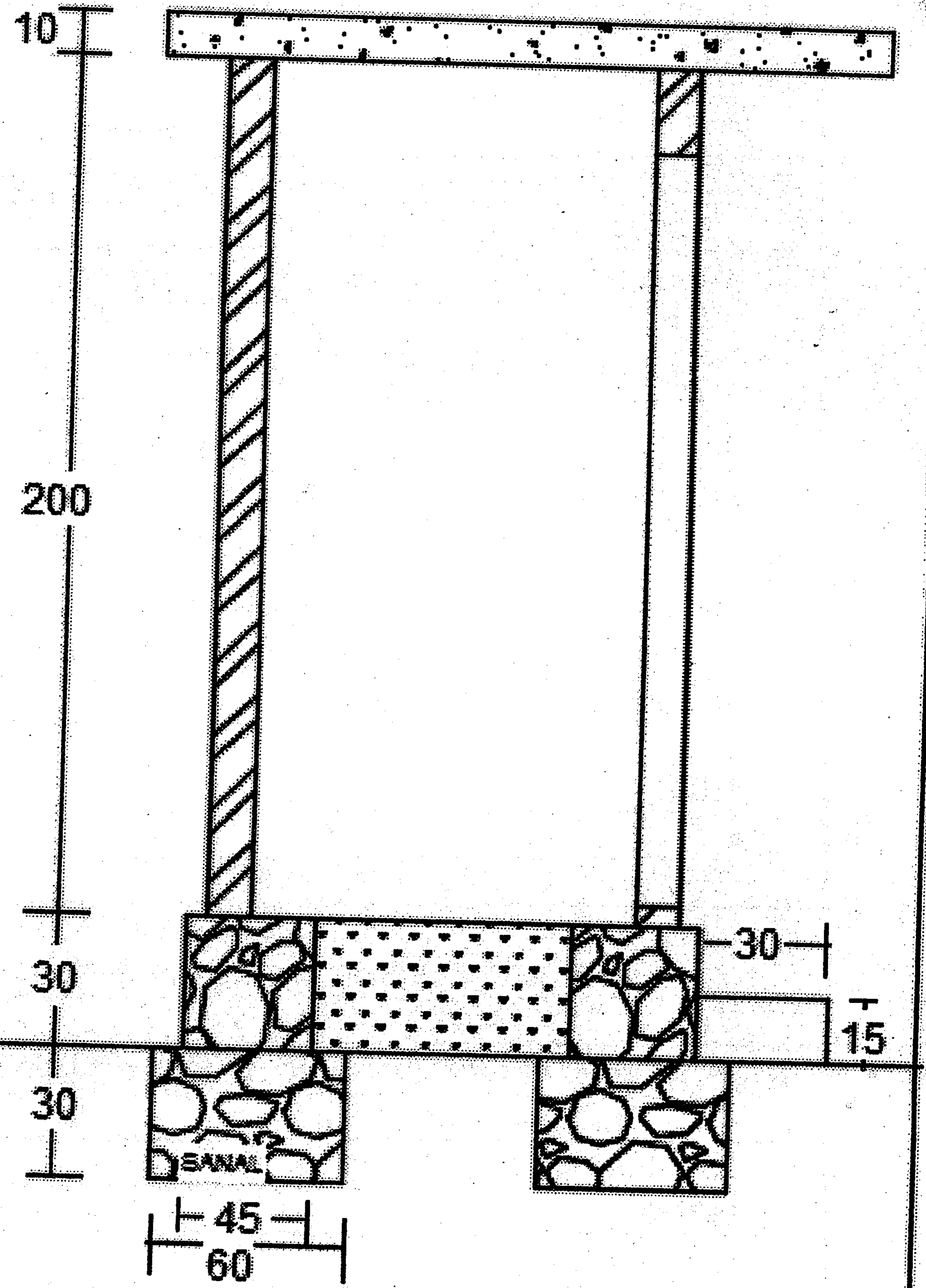
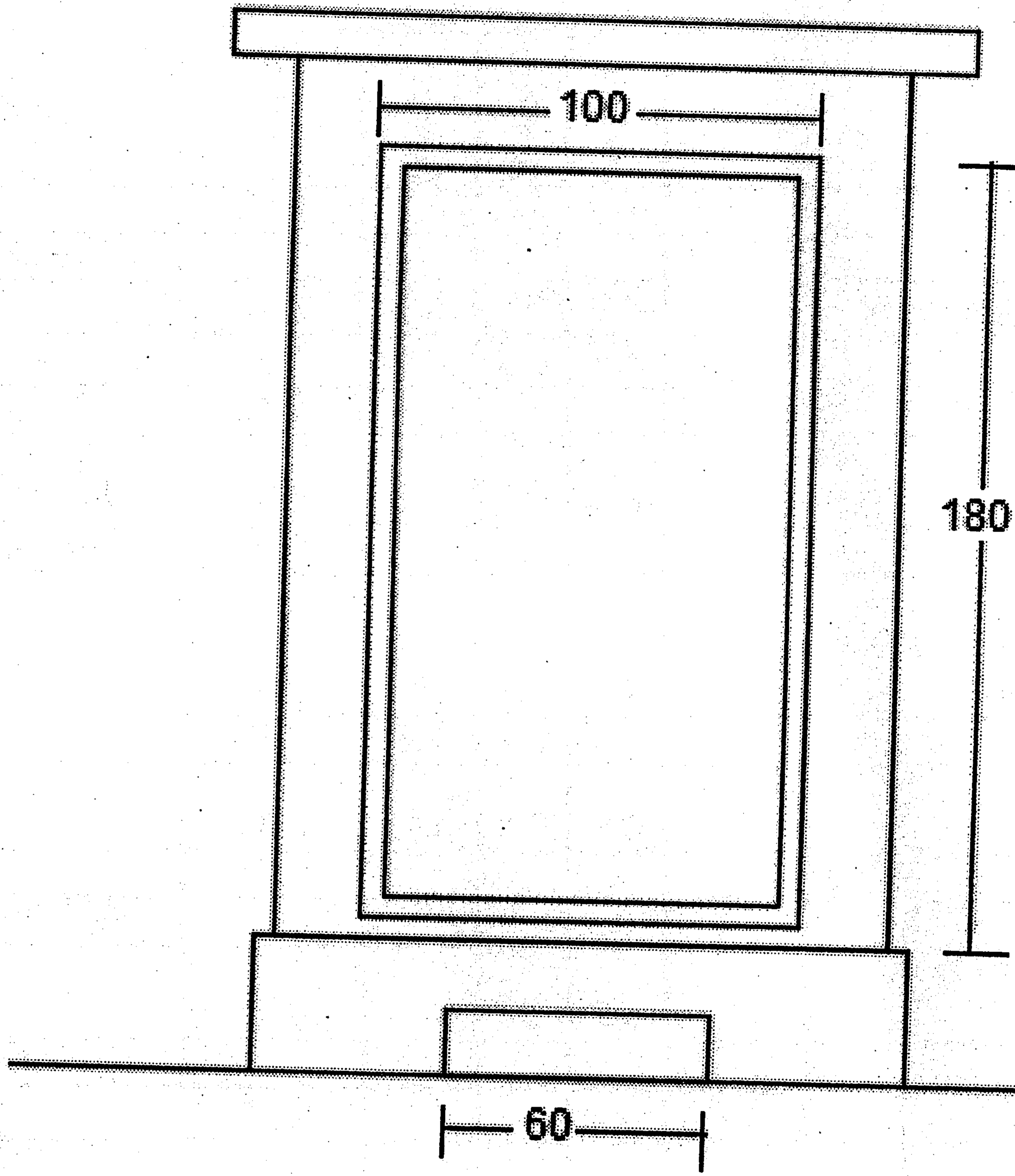
Sl. No.	Particulars	No.	Length	Breadth	Height	Quantity	Amount Rs.	
1	Earth work excavation in hard soil for foundation Say 0.83M ³ @ Rs.300.7/M ³	1	4.6	0.6	0.3	0.83	249.58 ✓	
2	Random Rubble masonry in Cement Mortar 1:6 for Basement	1	4.6	0.6	0.3	0.83		
		1	4.6	0.5	0.3	0.62		
	Say 1.45 M ³ @ Rs.7295.1/M ³					1.45	10577.90 ✓	
3	Earth filling Say 0.05 M ³ @ Rs.300.7/M ³	1	0.6	0.3	0.3	0.05	13.09 ✓	
						0.05	15.04 ✓	
4	Brick work in cm 1:6 using country burnt bricks of size 19 X 9 x 9cm for super structure in ground floor upto 5 m height	1	4.6	0.1	2	0.92		
	Deduction for opening	1	1	0.1	1.8	0.18		
	Step	1	0.6	0.3	0.15	0.03		
	Total					0.77		
	Say 0.77 M ³ @ Rs.9046.7/M ³						6966.00 ✓	
5	RCC 1:2:4 for roof slab including cost and conveyance of materials, labour etc, excluding reinforcement	1	1.7	1.7	0.1	0.29		
	Say 0.29M ³ @ Rs.11637/m ³						3375.00 ✓	
6	Tore steel reinforcement for RCC works @ 80kg/m ³					23.2		
	Say 23.2kg @ Rs97.9/kg						2271.28 ✓	
7	Centring and shuttering for roof slab	1	1.7	1.7		2.89		
	sides	4	1.7	0.1		0.68		
	Say 3.57m ² @ Rs.826/M ²					3.57	2949.00 ✓	
8	Flooring PCC in 1:2:4, Say 0.08M ³ @ Rs.8091/M ³	1	1.2	0.9	0.07	0.08	47.51 ✓	
							647.00 ✓	
9	Plastering in 1:4, 12mm thick inside and out side of pumphouse	2	4.6		2	18.4		
	Deduction for opening	2	1		1.8	3.6		
	Roof	2	1.7		1.7	5.78		
	Roof -sides	1	6.8		0.1	0.68		
	Step -top	1	0.6		0.3	0.18		
	Step -sides	1	1.2		0.15	0.18		
	Total					21.62		
	Say 22 M ² @ Rs.318/M ²						6996.00 ✓	
10	Supplying and providing door in 16 g GI sheet and angle iron frame with proper locking arrangement and painting					LS	4500.00 ✓	
11	White washing and Painting @Rs.34/m ²					22	748.00 ✓	
12	Unforeseen items if any					106.64	205.00 ✓	
	Grand Total					Rs.	39500.00 ✓	
	Rs. 39,500 /- (Rupees thirty nine thousand and five hundred only)							38,800




 District Officer
 689 645

GROUNDWATER DEPARTMENT DISTRICT OFFICE PATHANAMTHITTA

DESIGN FOR PUMP HOUSE

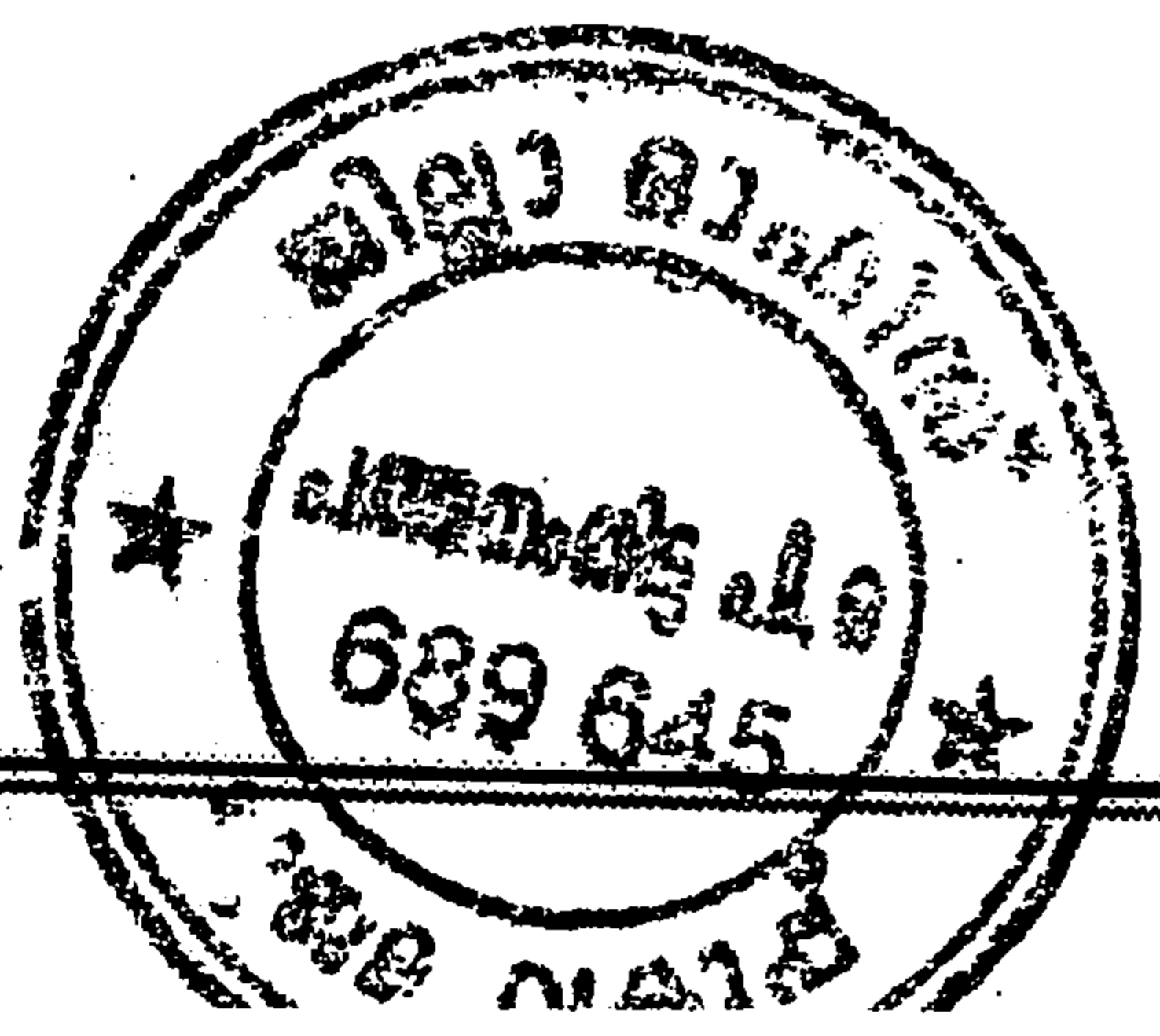


SECTION

180

ALL DIMENSIONS ARE IN CM

PLAN



[Signature]
DISTRICT OFFICER

[Small text]

Ground Water Department, District Office-Pathanamthitta
Estimate for a well protection for bore wells

1	Earth work excavation in hard soil for foundation	3.14	0.5	0.5	0.2	0.16	
	Say 0.16M ³ @ Rs.300.7/M ³						48.11
2	PCC 1:2:4 for basement using 20mm broken stone	3.14	0.5	0.5	0.1	0.08	
	Say 0.08M ³ @ Rs.8091/m ³						647.00
3	PCC 1:2:4 for side wall(concrete ring)	3.14	0.8	0.1	0.5	0.09	
	Say 0.09M ³ @ Rs.8091/m ³						728.00
4	RCC 1:2:4 for covering slab using 20mm broken stone	3.14	0.4	0.4	0.08	0.04	
	Say 0.04M ³ @ Rs.11637/m ³						465.48
5	Centering and shuttering Side wall	3.14	0.8	0.5	1	1.26	
	slab	3.14	0.8	0.1	1	0.25	
	Say 1.51M ³ @ Rs.826/m ³						1247.26
6	Tore steel reinforcement for RCC works @ 80kg/m ³					3.2	
	Say 3.2kg @ Rs97.9/kg						313.28
7	Plastering in 1:3, 12mm thick out side	3.14	0.8		0.6	1.51	
	Slab	3.14	0.4		0.4	0.5	
	Total					2.01	
	Say 2.01 M ² @ Rs.318M ²						639.18
8	White washing & Supplying and providing proper locking					2	68.00
9	Grand Total <i>→ (As per actual measurement)</i>					Rs.	4156.00
(Rupees four thousand one hundred and fifty six only)							

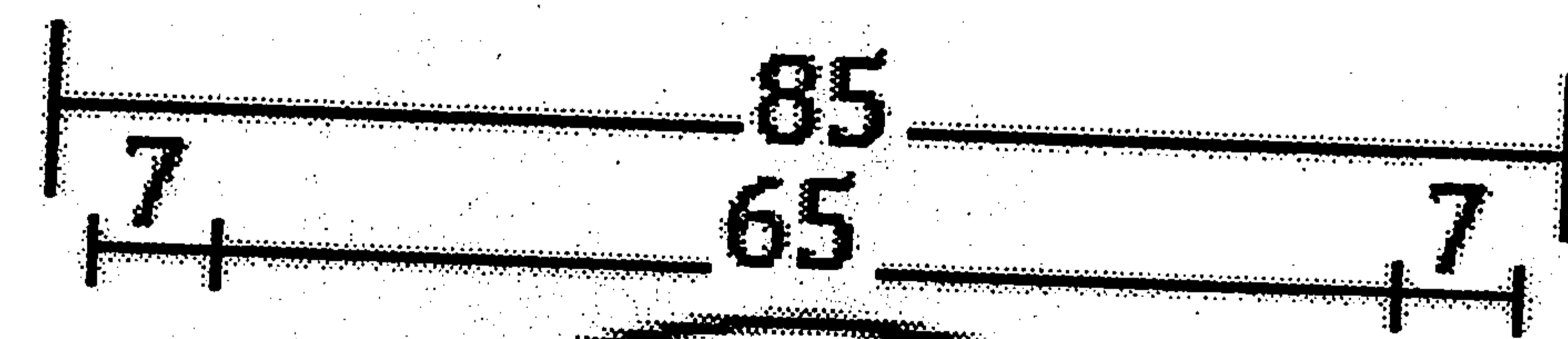
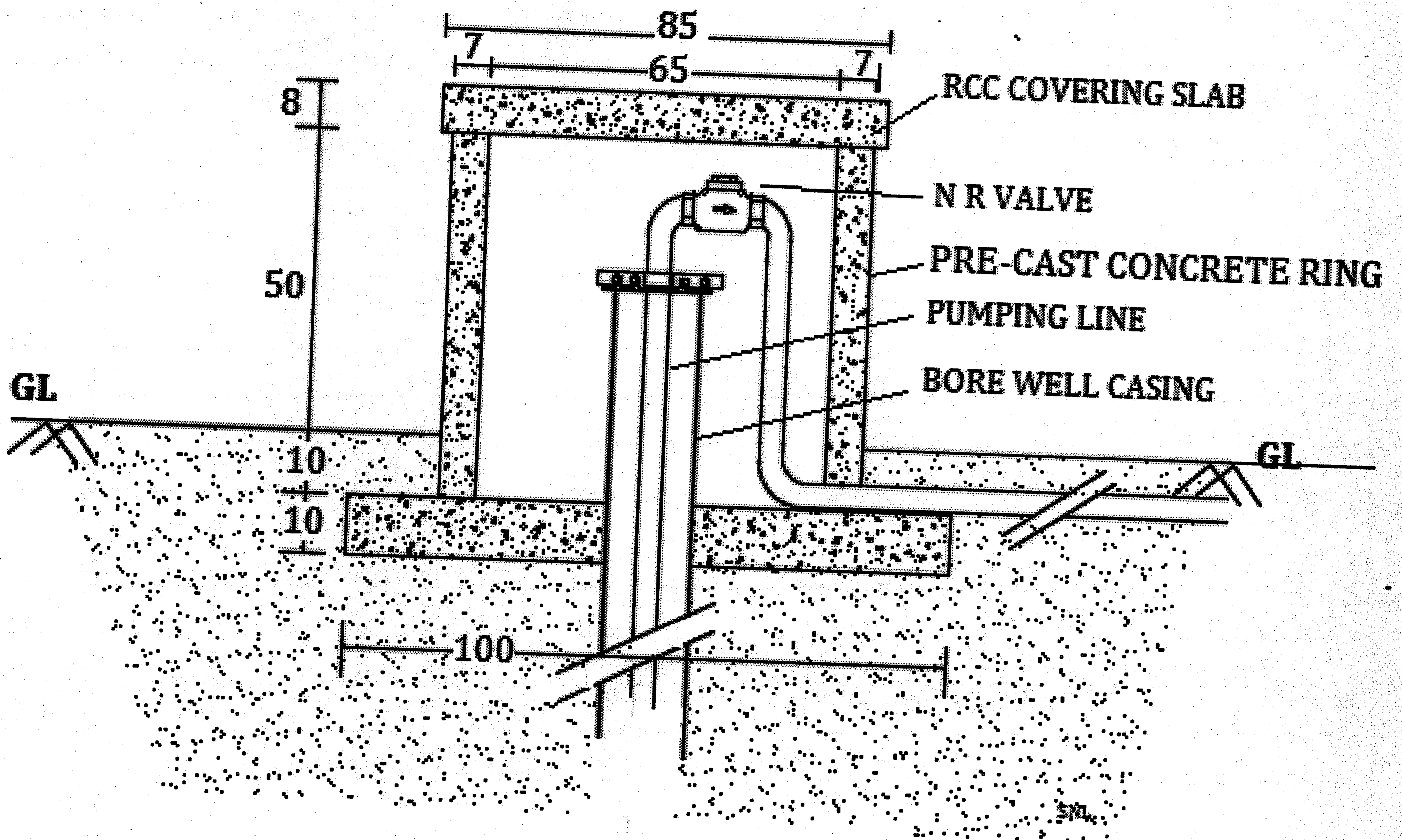
[Signature]
District Officer



ജില്ലാ ഭൂമി സേവന
 വകുപ്പ് നമ്പർ
 പാതാമുഖം ജില്ല - 689 645

GROUNDWATER DEPARTMENT DISTRICT OFFICE PATHANAMTHITTA

DESIGN FOR BORE WELL PROTECTION



ALL DIMENSIONS ARE IN CM

ജില്ലാ ഭരണകമ്മീഷൻ
ഭൂമി ഉപയോഗ വകുപ്പ്
പത്തനംതിട്ട ജി.ഒ. - 689 643

